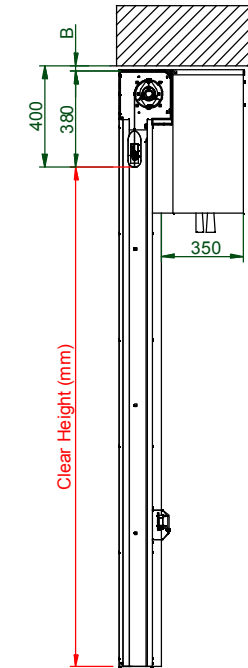
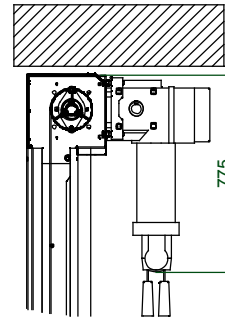
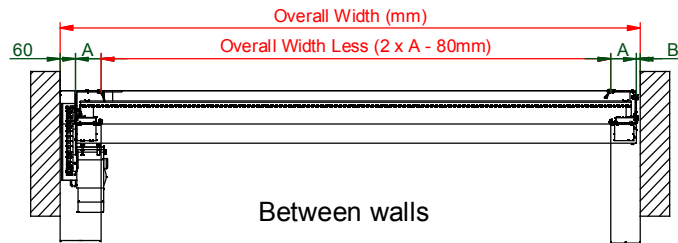
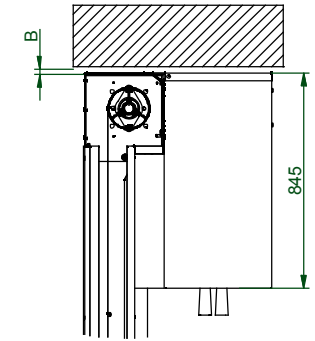


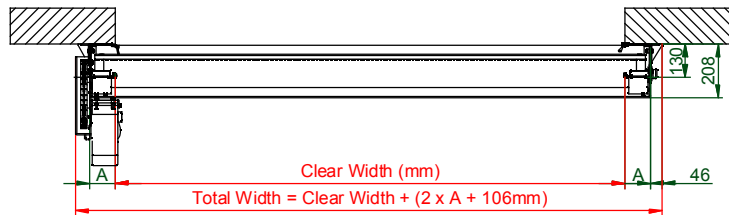
Without motor cover



With motor cover



Between walls



Front Mounted

A	-For clear width up to 3000 A=100mm -For clear width over 3000 A=150mm
B	Installation allowance 20mm



Tel : 01928 703580
 Fax : 01928 759984
 E-mail: sales@osadoorparts.co.uk
 Registered in England and Wales No 04267836

Instant Roll Eco With Front Motor

Customer	TBC
Date	TBC
Order Number	TBC
Customer Reference	TBC
Drawing Number	TBC
Revisions	TBC
Clear Dimensions	W x H (mm)
Mounting	Inside / Outside / Between Walls
Structure	Galvanised / Painted / Laquered
Colour (RAL)	TBC
Electrical Supply / Handing	3 Phase / 1 Phase (LH or RH)
Manual Override	Hand Crank / Chain
Safety	Photocell & Safety Edge / Light Barrier
Control Box Position	Installed On Leg / Loose
Activation	TBC
Windows	TBC