

## MIRFLEX ECO Auto-tracking

### ROLLING WINDBREAK SPEED DOOR

The model MIRFLEX ECO from Angel Mir is a rolling speed door suitable to close internal gaps of medium size. It is perfect to divide different environments and passages between industrial units, warehouses or shops. As it is designed with small profiles, it takes up very little space of the light void and requires also little space on the side doorjambes and on the lintel. It is an intensive use door.

It withstands light or moderate air currents and the canvas count on a system of flexible reinforcements coming out of the guides when they receive a strong impact and return afterwards on the rails when the door lifts.

It has a mechanism with frequency inverter regulating the opening and closing speeds and the acceleration and the deceleration ramps when opening and closing.

Maximum sizes 3300 x 3500

Wind resistance on standard configuration: Class 0.

### CHASSIS

- Not self-supporting. It must be fastened to a resistant structure. Aluminium rails on support profile and aluminium reinforcement. No upper platform.

Element	Material	Details
<b>Guides</b>	Extruded aluminium profile	It has internal reinforcements.
<b>Guide support profile</b>	Extruded aluminium profile	Double rectangular profile with central channel for guide profile.
<b>Tracking</b>	Polyurethane	Black.
<b>Base</b>	Stainless steel sheet	It has holes for fastening to the ground.
<b>Fastening</b>	Anchoring suitable to the kind of support (metallic, chemical dowels, etc.)	Fastening to the ground and, according to the height and the required wind pressure, several intermediate fastenings on walls or on a resistant structure.
<b>Finishing</b>	White lacquered Pirineo	

### × Head:

Element	Material	Details
<b>Shaft</b>	Aluminium drum	Of Ø110mm with reinforcement radius and hollow central knot with keyway.
	Solid profile of galvanized steel	Of Ø25.4mm with keyway along its entire length.
<b>Supports</b>	Profiles of painted galvanized steel sheet	It has housings for the self-adjusting ball bearings supporting the shaft
<b>Back lid of the shaft</b>	Lacquered or white RAL 9006 steel sheet	
<b>Fastening</b>	Anchoring suitable to the kind of support (metallic, chemical dowels, etc.)	It is fixed on the lintel or a resistant structure to keep the vertical position and to avoid the bulging or movements due to the rotation of the shaft.
<b>Finishing</b>	White lacquered Pirineo	

### Structure options

✓ Painted RAL colour chosen from a wide range by the customer.
✓ Front cover of steel sheet, in case of no lintel.
✓ Anodized matt inox or lacquered grey RAL 7045

## CANVAS

Element	Mass (kg/m <sup>2</sup> )	Work temperature (°C)	Characteristics
<b>Canvas</b>	0.95	-20...+70	Self-extinguishing M2 or M3.
Material		Characteristics	
<b>Side reinforcements</b>	Concave-convex tubular profile made of fiberglass and polyester composite. Depending on the setting, they are inserted with solid composite.		Manufactured by pultrusion.
<b>Skirting board</b>	Galvanized steel tube		It includes flexible elements at the ends.
<b>Fitting to the ground</b>	Reinforced fabric of polyester coated with PVC		Yellow bag with black diagonal strips.
<b>Welding</b>	All welding through high frequency including windows.		
<b>Finishing</b>	Bright lacquered on both sides; colour to be chosen from a wide range.		

Colours	Colours similar to RAL						
<b>Reaction to fire M2</b>	Red 3002	Yellow 1003	Green 6026	Blue 5005	Grey 7016	Grey 7040	White 9003
<b>Reaction to fire M3</b>	Ivory 1014	Orange 2004	Orange 2002	Black 9005	Brown 8016	Grey 9006	

	Components	Composition
<b>Resistant characteristics</b>	Wind resistance	<b>Standard:</b> Class 0 (without wind forecast).
<b>Other wind resistances</b>	Please enquire	

Canvas options
✓ PVC windows. Transparent glass quality 1 mm thick. Positive temperatures

## MOTORIZATION

Operator	
<b>Operator</b>	EKM compact gear motor for intensive use, including integrated position switches.
<b>Situation</b>	On one side of the head.
<b>Position switches</b>	Mechanical.
<b>Safety brake</b>	Internal.
<b>Shaft</b>	Void with measured keyway to receive the shaft of the door.
<b>Electro brake</b>	For precise positioning and canvas locking.
<b>Unlocking</b>	Through handle.
<b>Manual drive</b>	Through crank for doors up to 3000 mm and with chain for higher doors.
<b>Voltage in volts</b>	230 V three-phase
<b>Frequency in Hz</b>	50 Hz
<b>Power</b>	0.4...0.75 CV / 0.29...0.55 kW, depending on door seizes.
<b>Protection IP</b>	IP 54

Motor options
✓ Front motor with chain drive.
✓ Protection lid for the motor in galvanized steel, lacquered, stainless steel and polystyrene.
✓ Special voltages and frequencies.
✓ Motor with increased IP (IP65).

Control panel	
<b>Model</b>	RSPV ECO
<b>Keys on exterior lid</b>	Switches for opening and emergency stop. Voltage breaker.
<b>Logic controller</b>	Thermal relay.
<b>Power</b>	Frequency inverter.
<b>Frequency inverter</b>	Opening and closing adjustable speeds. Speed opening, fast. Speed closing, slow. Acceleration ramps at the beginning of the movement. Deceleration ramps at the end of the movement. Protection of the motor because overconsumption and lack of phase.
<b>Display registering status and information</b>	Reports: position, kind of failure and manoeuvre controller. Switches for opening and closing through maintained contact and basic programming.
<b>Control box IP</b>	PVC, with input/output cable glands.
<b>Protection</b>	IP 65.
<b>Voltages</b>	Power supply: 230 V single-phase. Manoeuvre: 24V DC.
<b>Control panel electrical installation to the motor and to the fixed elements at the feet</b>	Protected with PVC standard conduit.

Control panel options
✓ Special voltages and frequencies.
✓ Fiberglass control box with IP increased or stainless steel.

**OTHER CHARACTERISTIC ELEMENTS / QUALITIES / OPTIONS**

× **Door electrical data**

The voltage wiring up to the panel unit must be completed by a licensed electrician and must be protected according to the existing rules or standards.

**The use of 300 mA superimmunized differentials is recommended.**

<b>STANDARD electrical characteristics</b>	
<b>Voltage V</b>	230 V single-phase
<b>Frequency Hz</b>	50 Hz
<b>Power kW</b>	0.39...0.65 kW, according to door sizes.
<b>Protection</b>	IP 54

For other voltages and frequencies, please ENQUIRE

<b>Other characteristics</b>	
<b>Work temperature</b>	Standard: +5...+50°C It cannot be used in cold stores with negative temperature.

<b>Safety</b>	<b>Used procedure</b>
<b>Anti-crushing</b>	Photocells curtain protecting the entire width of the door and up to 2500 mm. height assembled inside the guides.
<b>Vision</b>	Bottom of the canvas painted with safety stripes (diagonal yellow / black).
<b>Manoeuvres</b>	Intermittent lights indicating the manoeuvre: exterior and interior. (UNE-EN 12453: 2000, 5.1.3 c)
<b>Irreversible motor</b>	It must be driven by crank or chain.
<b>Motor with spring safety system</b>	In case of breakage or internal wear.

× **Door speeds**

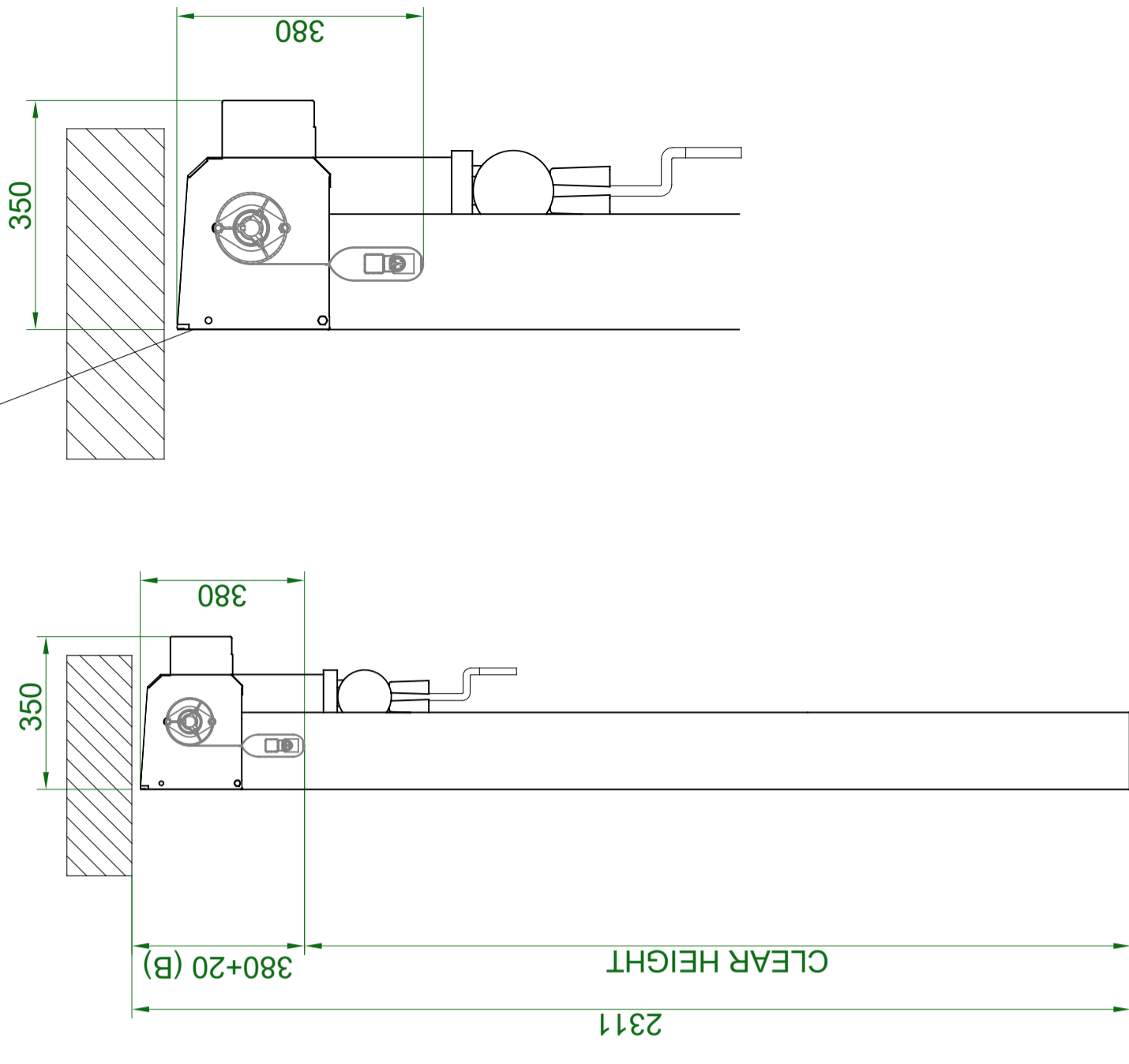
<b>Speeds (m/s)*</b>	<b>Opening</b>	<b>Opening deceleration until</b>	<b>Closing</b>
	0,82 m/s	0.6 m/s	0.6 m/s

\*For other speeds, please ENQUIRE

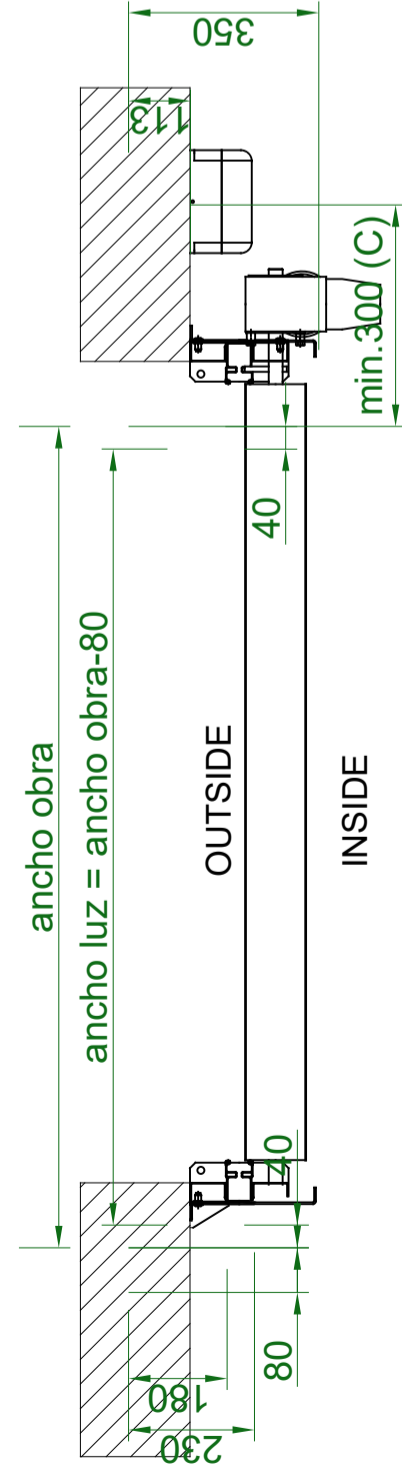
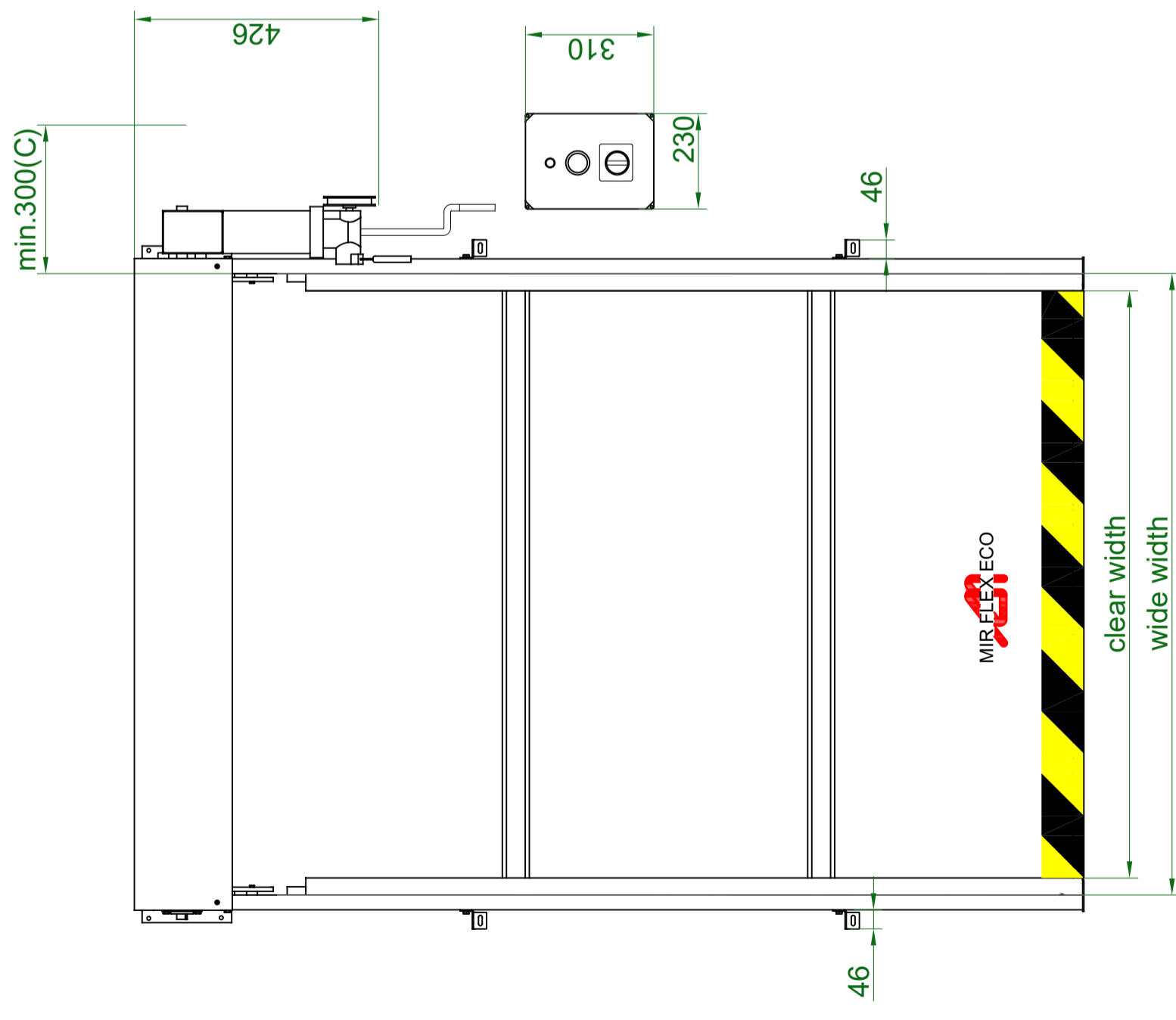
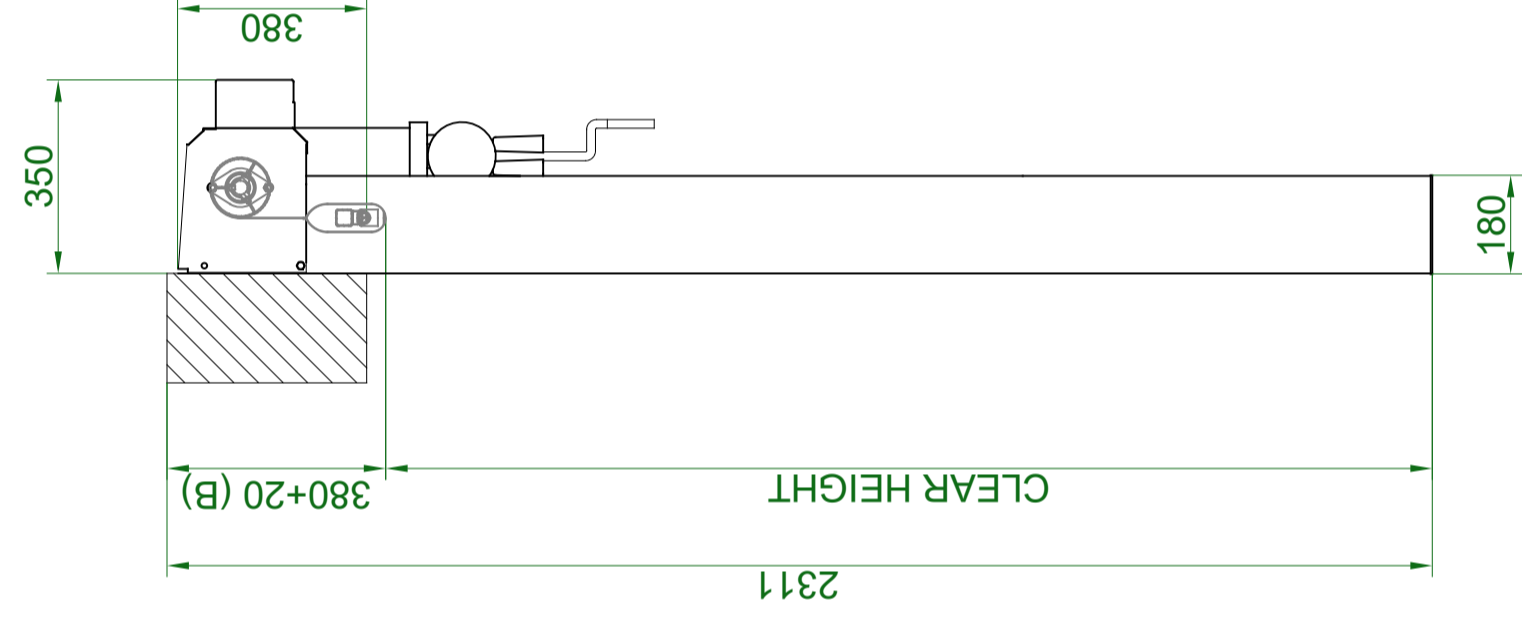
**CERTIFICATES AND STANDARDIZATIONS**

Our doors are manufactured according to the UNE-EN 12453:2001 standard and meet the 98/37/CEE, 89/336/CEE, 89/106/CE y 73/23/CEE harmonization directives. They are tested and certified by a notified body, in compliance with the 13241-1 standard.

rear cover (optional order)

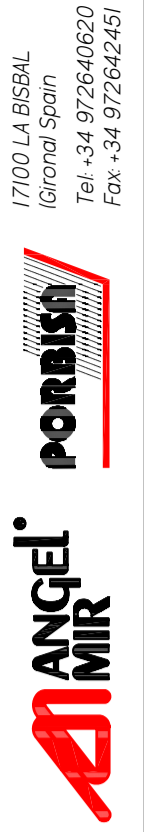


With front cover and rear cover (optional order)



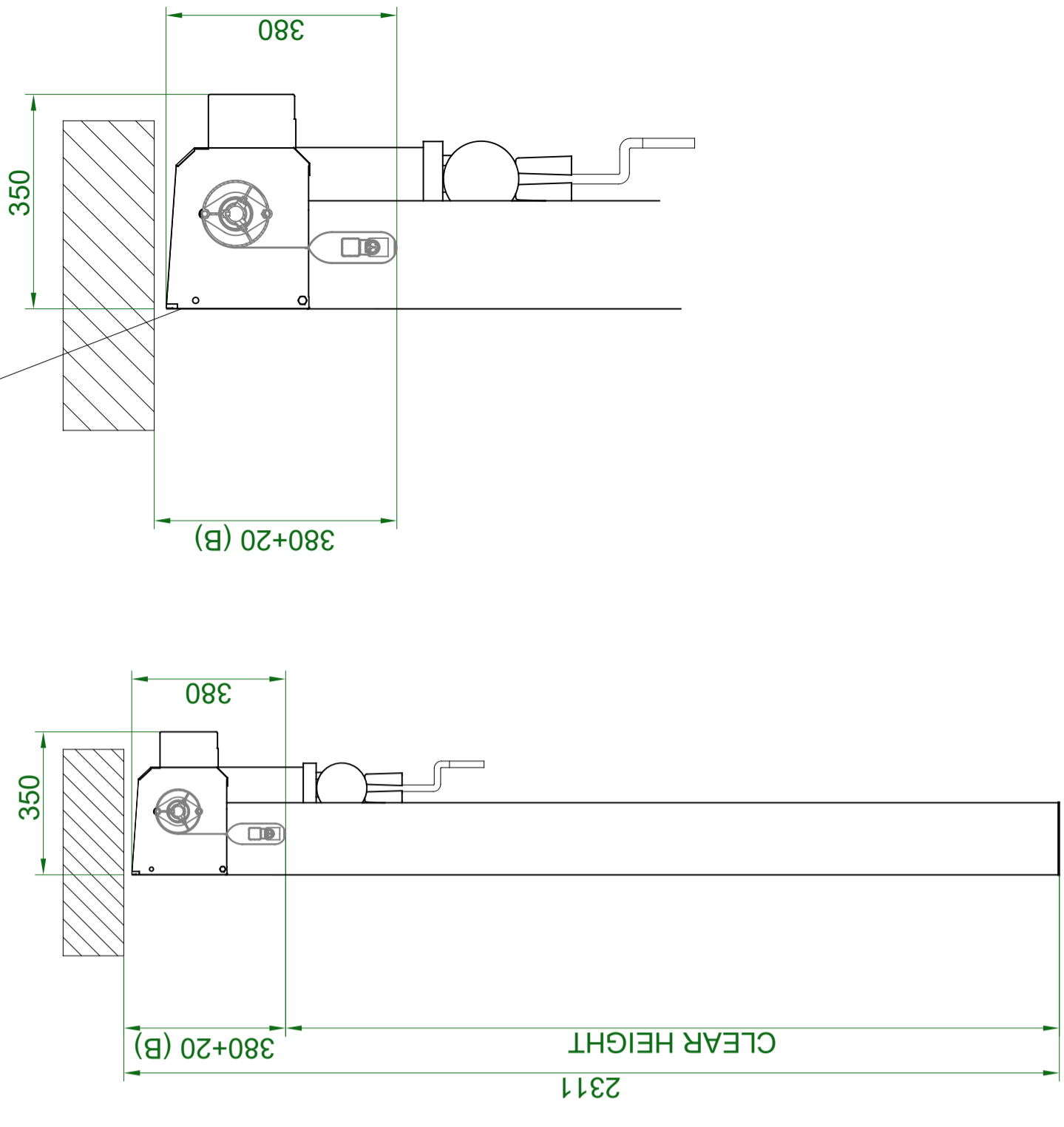
B	Installation allowance
C	For assembling and disassembling the motor
	-For total heights up to 3 m manual operation by crank.
	-For total heights from 3 m manual operation by chain.

Model:	Mir flex Eco monophase	
Maximum dimensions:	3300x3500 (width x height)	
mounting conditions:	door frontal mounted	
Motor:	Elektromaten	
Electrical supply:	monophase 230 II	
Electrical box	RSPV ECO	
For special dimensions consult our technical office		
Dibujado	Nombre	Fecha
Comprobado	ofi.technical	06/10/11
Familia:	Rápidas	
Tipo:	Mir Flex Eco	Título:
l/l	Material:	Mir Flex Eco montaje interior sin dintel
		Código:
		Conjunto al que pertenece:
		xxxxxx
		Hoja 1 de 3

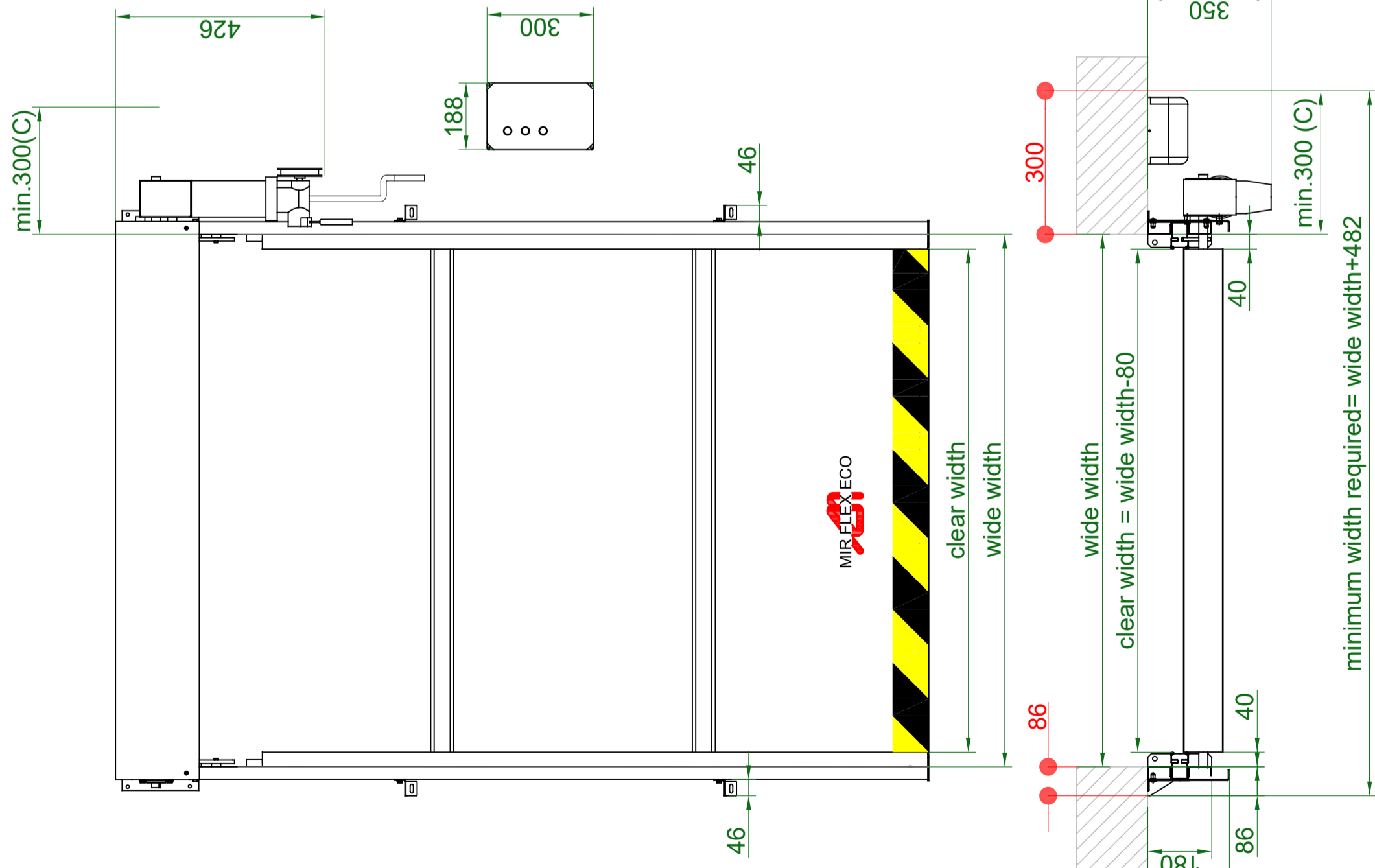


MOTOR	POWER	CURRENT (A)	VOLTAGE (V) - FREQUENCY (Hz)	POWER SUPPLY CABLE
3,5.160	0,45kw	1,9	2x230-50	2x1,5+earth/10A

rear cover (optional order)



With front cover and rear cover (optional order)



B	Installation allowance
C	For assembling and disassembling the motor -For total heights up to 3 m manual operation by crank. -For total heights from 3 m manual operation by chain.

MOTOR	POWER	CURRENT (A)	VOLTAGE (V) - FREQUENCY (Hz)	POWER SUPPLY CABLE
3,5.160	0,45kw	1,9 / 1,1	3x230/400-50	3x1,5+earth/10A

Model:	Mir flex Eco Triphase		
Maximum dimensions:	3300x3500 (width x height)		
mounting conditions:	door frontal mounted		
Motor:	Elektromaten		
Electrical supply:	Three phase 230/400 III		
Electrical box	Elektromaten		
<b>For special dimensions consult our technical office</b>			
Dibujado	Nombre	Fecha	
Comprobado	ofi.technicah	06/10/11	
Familia:	Rápidas		
Tipo:	Mir Flex Eco	Título:	Mir Flex Eco montaje interior sin dintel
l/l	Material:	Código:	
		Conjunto al que pertenece:	xxxxxx
			Hoja 1 de 3



17100-LA-BISBAL  
Girona Spain  
Tel. +34 972640620  
Fax. +34 972642451