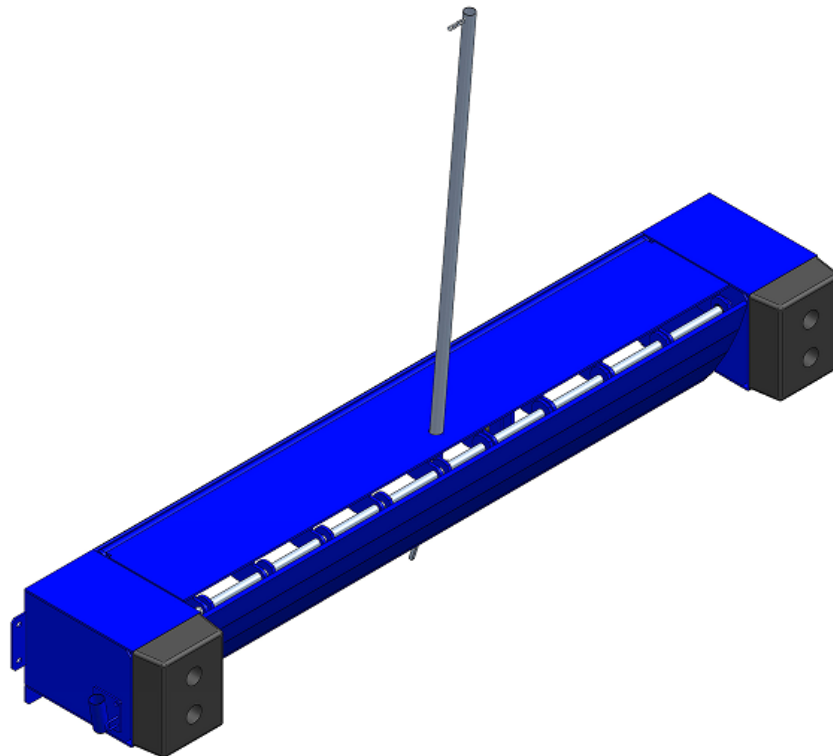


# Installation manual MINIRAMP



Team	Date	Version
Edited by: T. Costa	22/10/2013	Version 1
Revised by: J.Sala	22/10/2013	
Aproved by: E. Ceinós	22/10/2013	

## Index

1. Supplied kit.....	3
2. General dimensions.....	4
3. Installation .....	5

## Figures

Figure 1. Miniramp Supplied kit.....	3
Figure 2. Miniramp general dimensions .....	4

## Tables

Table 1. Miniramp supply list.....	3
------------------------------------	---

## 1. Supplied kit

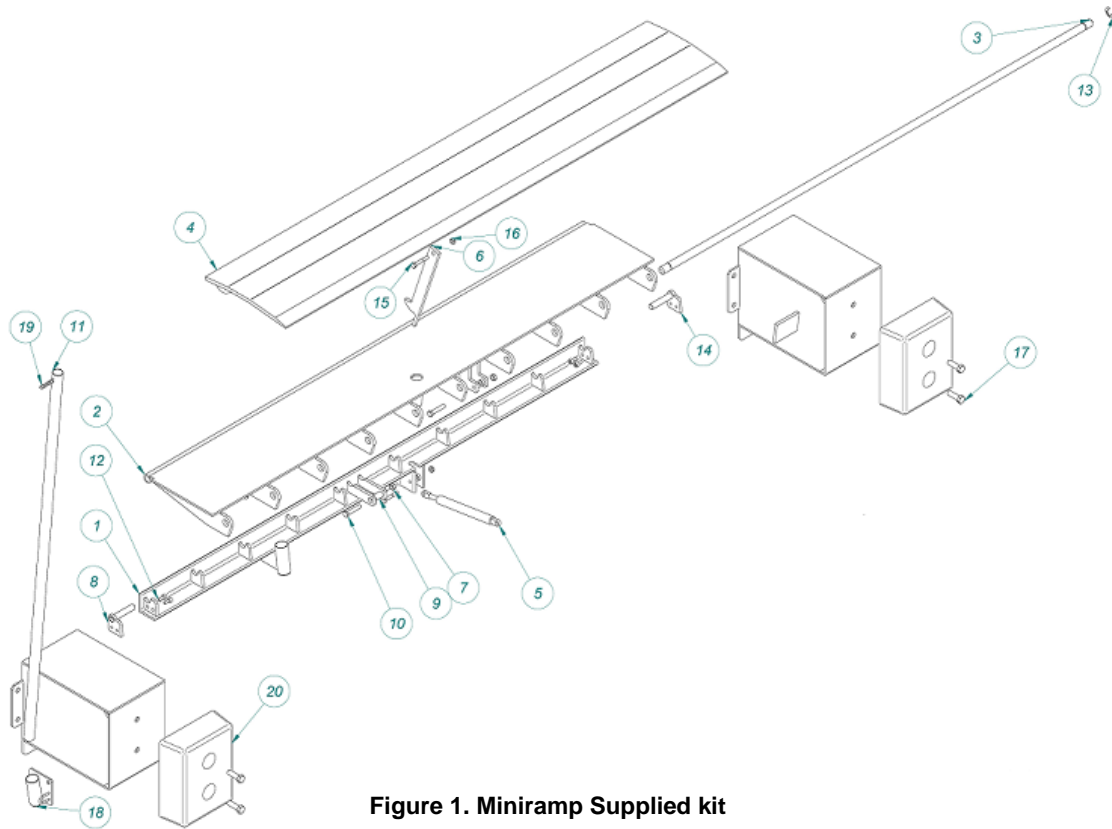


Figure 1. Miniramp Supplied kit

Number	Description	Quantity
1	Mini-ramp upright	1
2	Principal lip	1
3	Solid bar Ø25 L=1950	1
4	Secondary lip	1
5	Shock absorber	1
6	Mini ramp rod	1
7	Nut Din 934 M12	2
8	Left anchor	1
9	Tube Ø20x1.5 L=38	1
10	Hexagonal screw DIN 933 M12x60mm	2
11	Tube Øext=35mm e=2mm L=1500mm galvanizado	1
12	Screw DIN 912 M8x20	4
13	Seeger RA19 DIN 6799	2
14	Right anchor	1
15	Screw DIN 931 M10 x 60	2
16	Hexagonal lock nut DIN 985 M8	2
17	Screw DIN 933 M16 x 50	4
18	Lever support	1
19	String DIN 766 Ø4 L=2.5m	1
20	Bumper 300x250x100	2

Table 1. Miniramp supply list

## 2. General dimensions

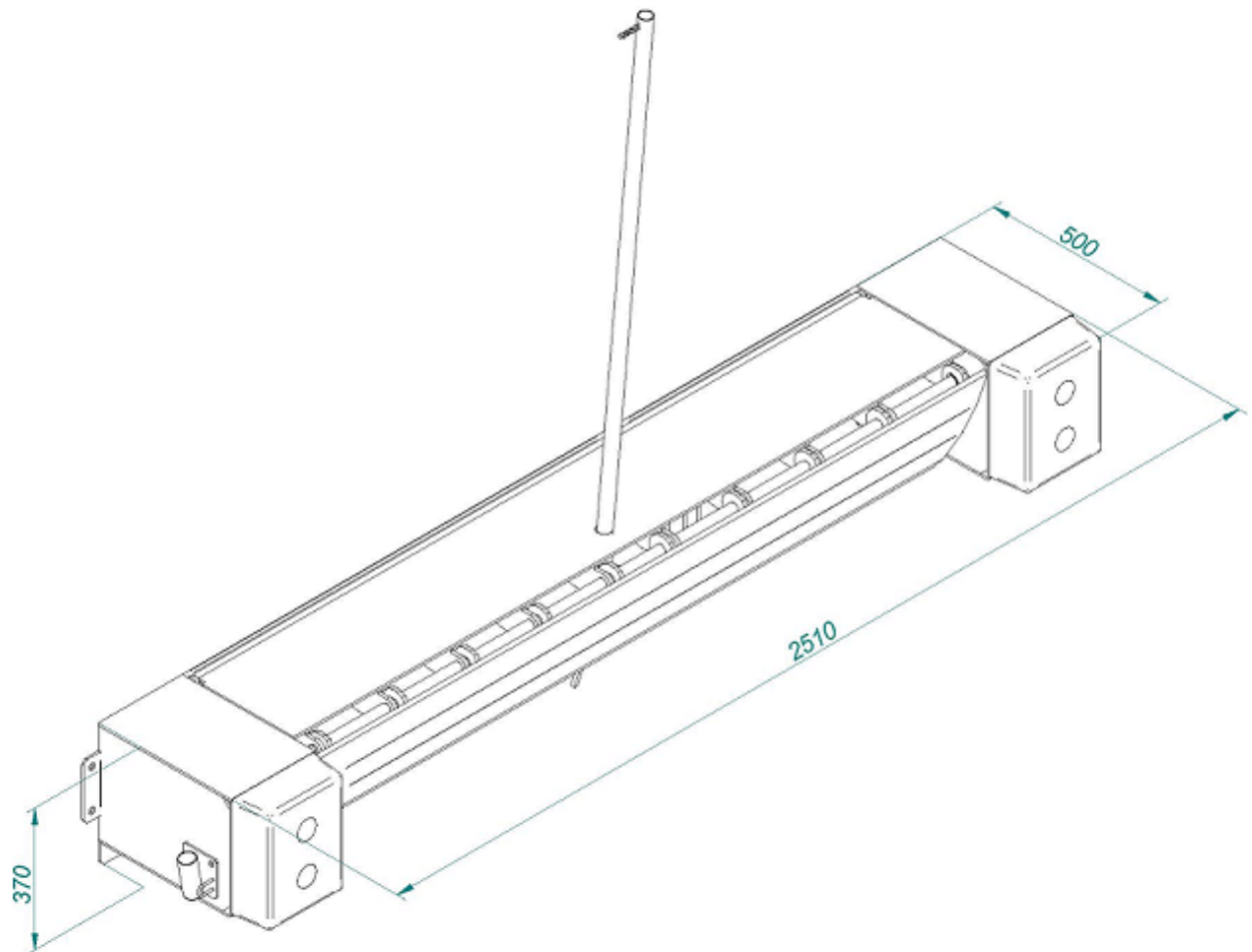
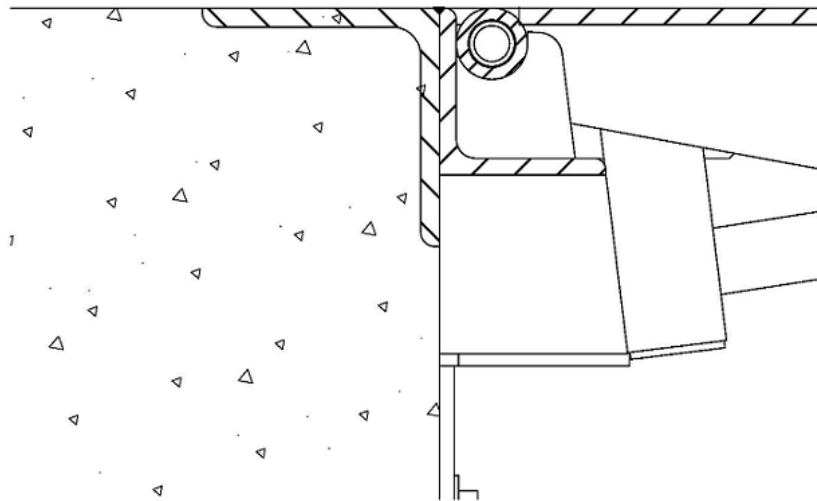
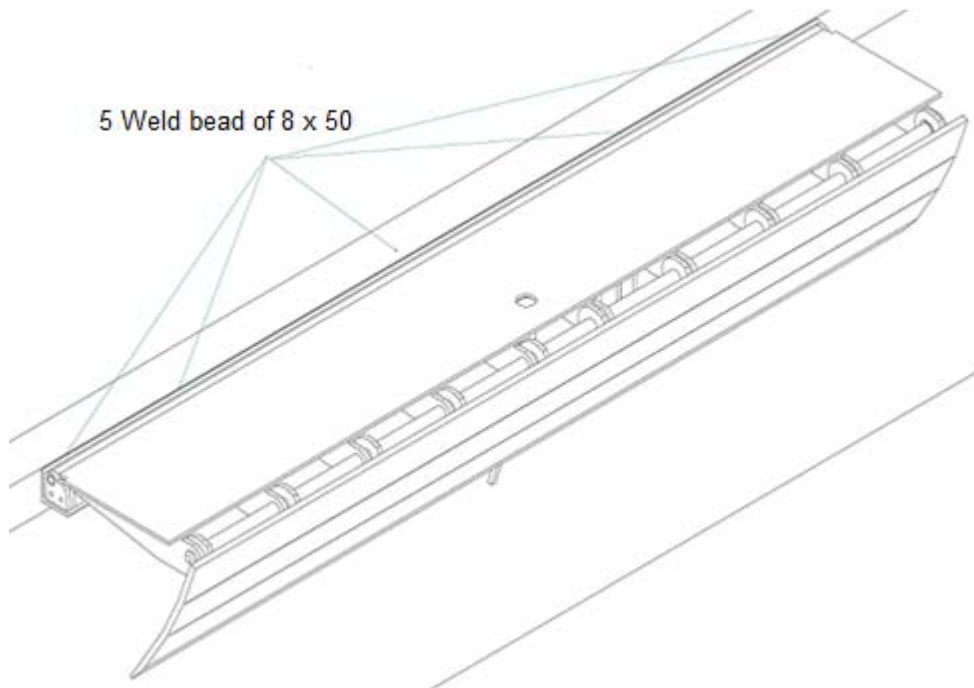


Figure 2. Miniramp general dimensions

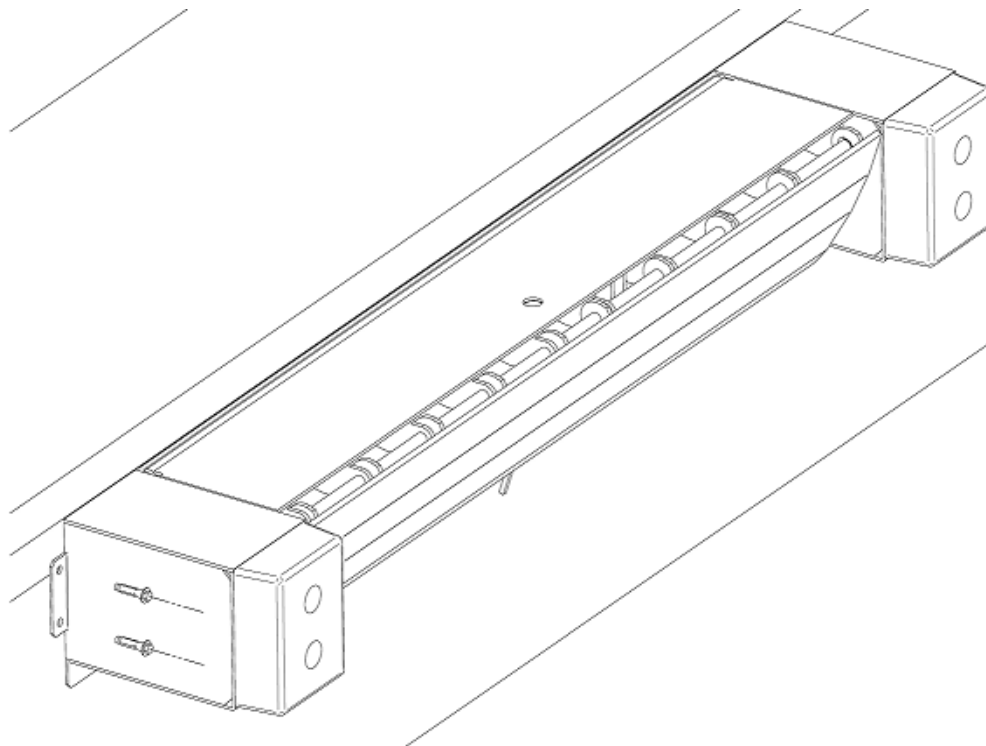
### 3. Installation

1. Weld into the frame the dock base. It has to be completely furred with the dock level.



Weld detail

### 2. Sides installation



Reproduction and spreading of this document is prohibited, as well as its incorrect use and content communication, except under explicit authorization. In case of infraction you are responsible for compensation for damages and harm. All rights are reserved, in particular in case of patent concession, utility model or industrial. Right to modifications reserved.

Version 1- 10.2013