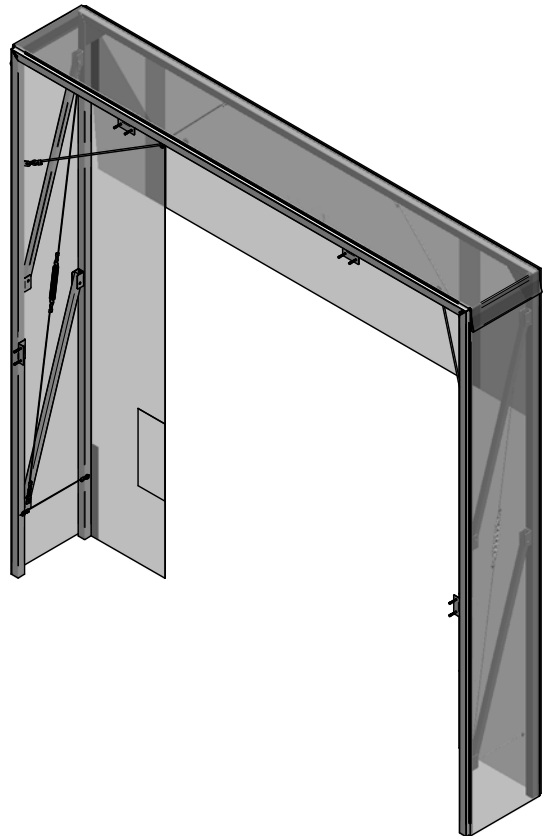
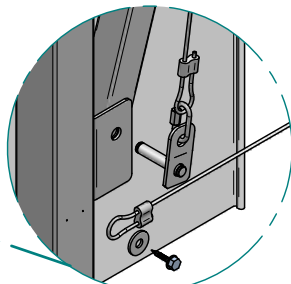
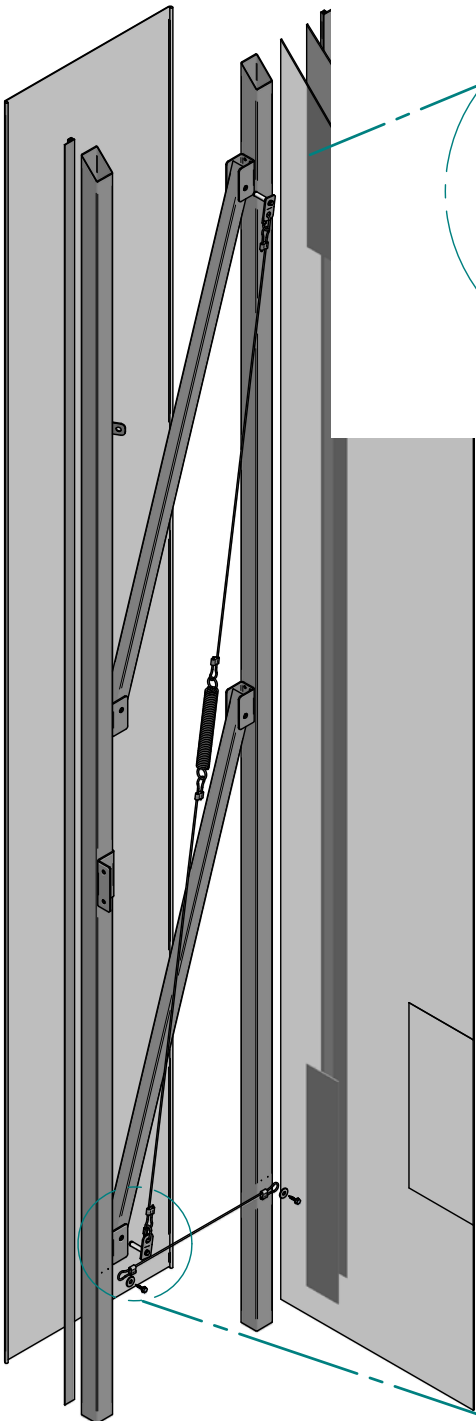
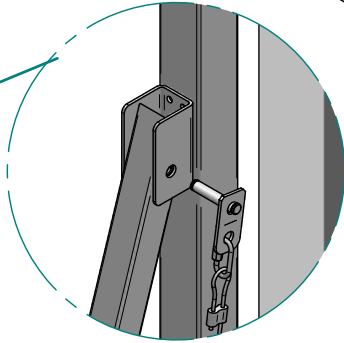
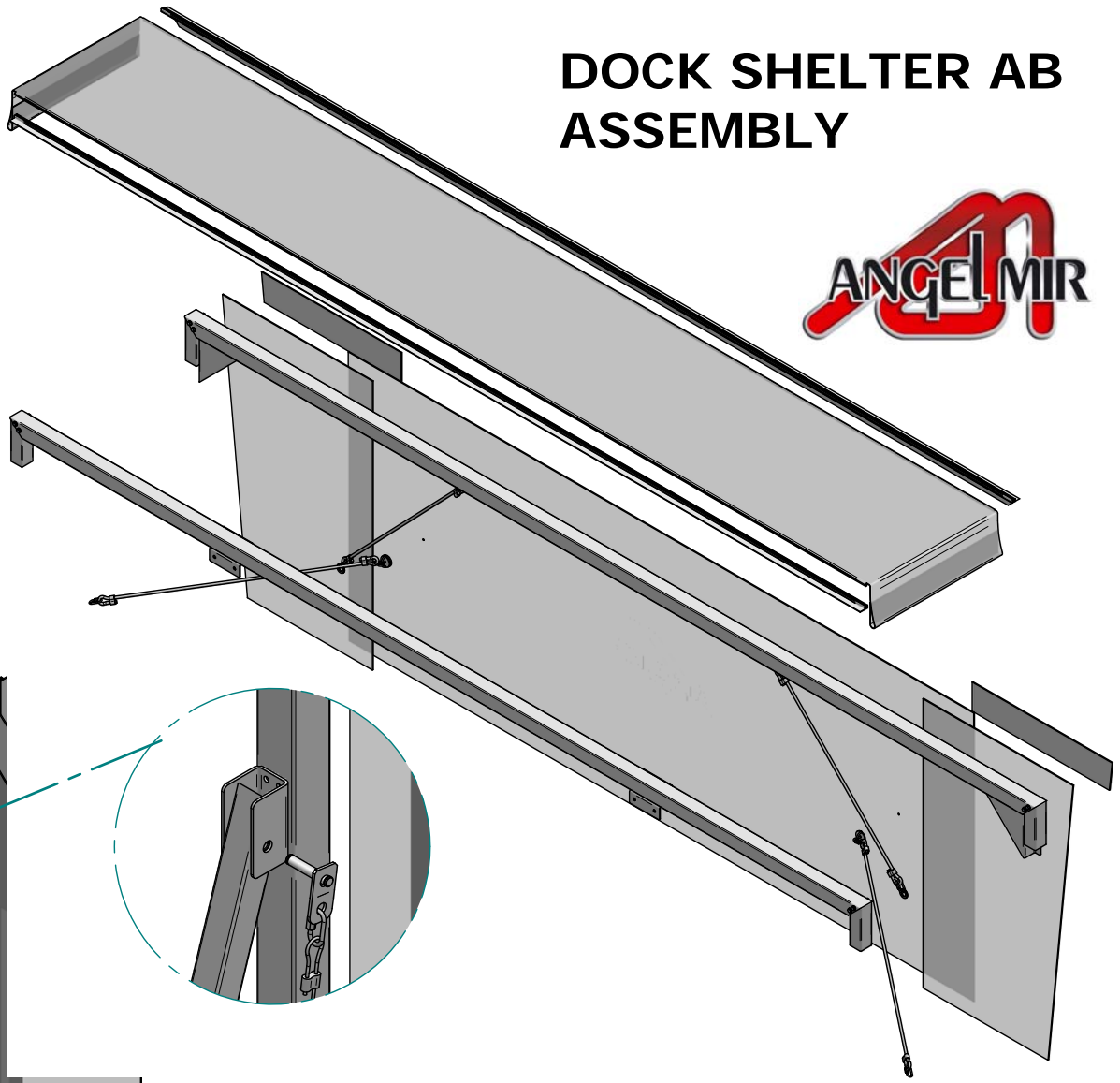
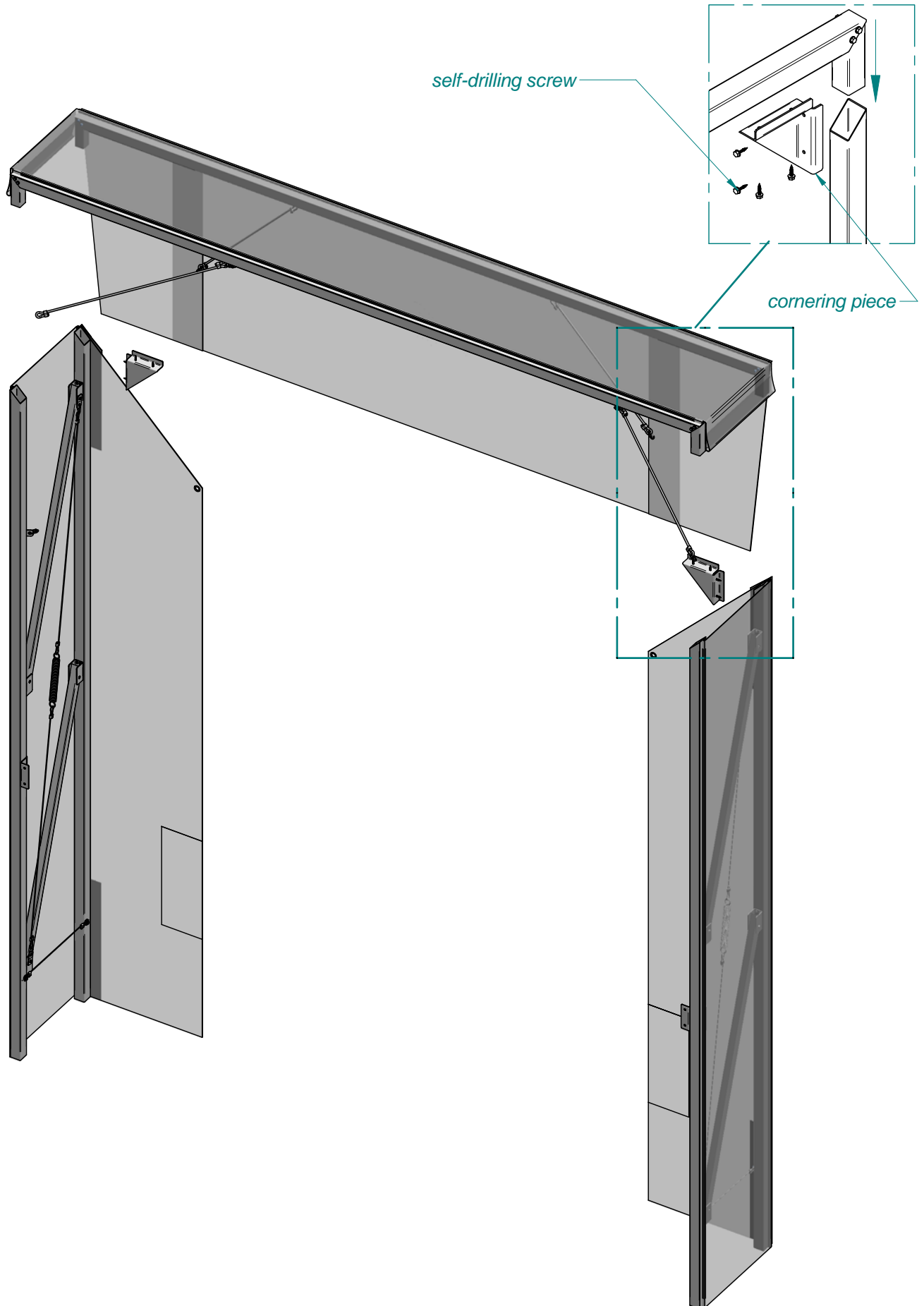


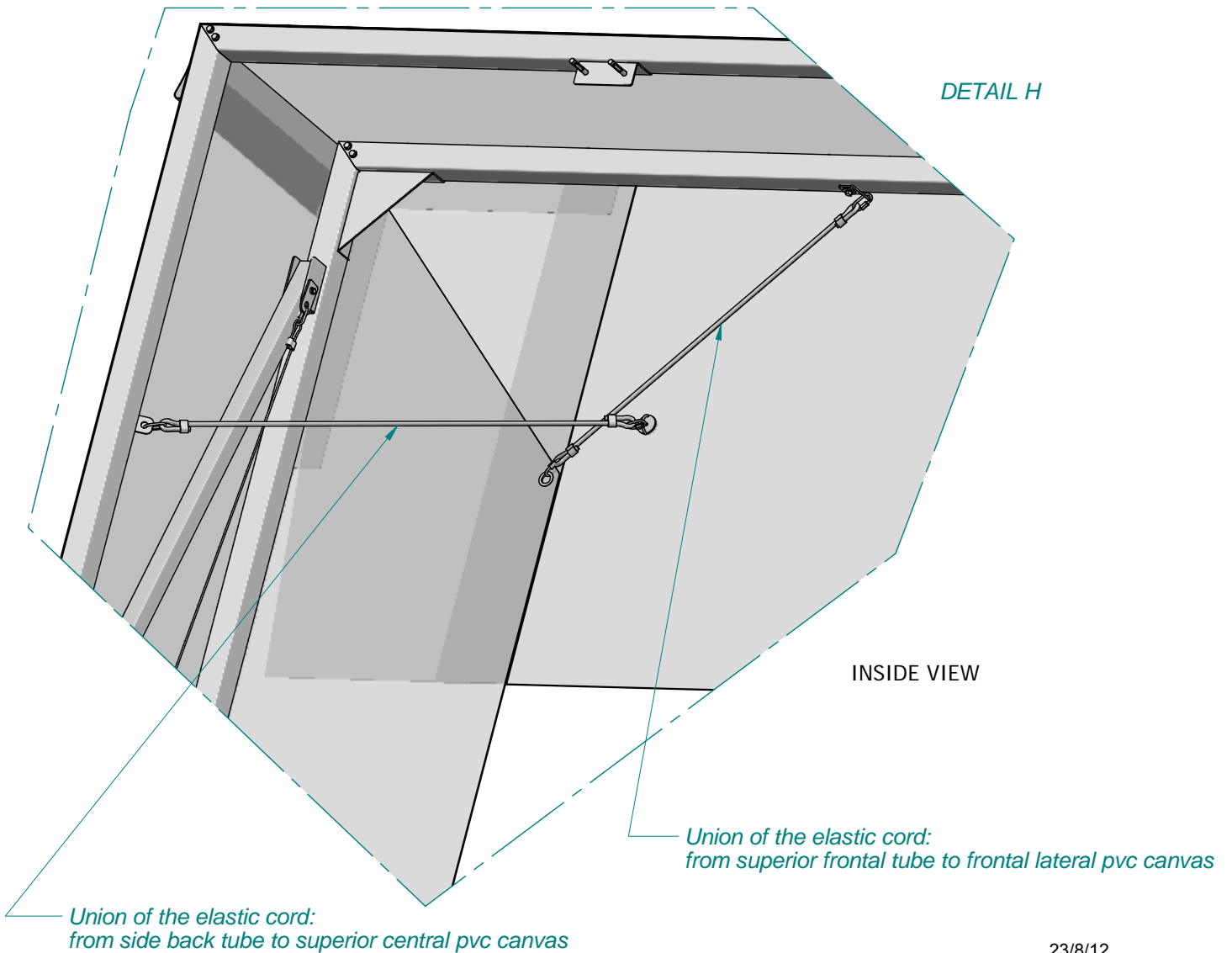
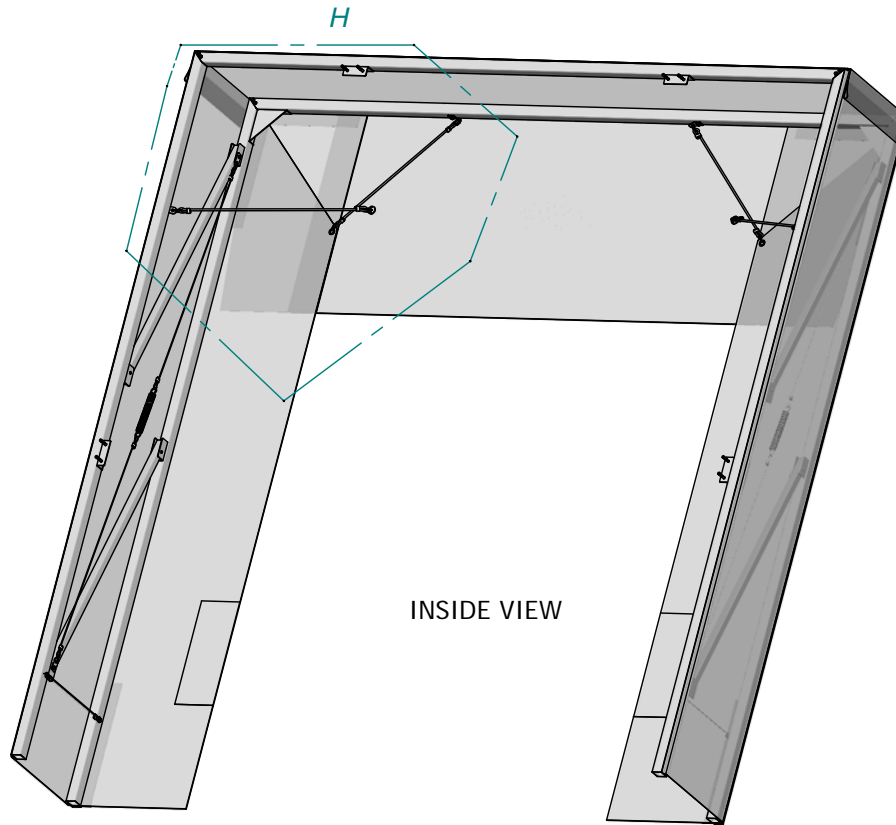
DOCK SHELTER AB ASSEMBLY



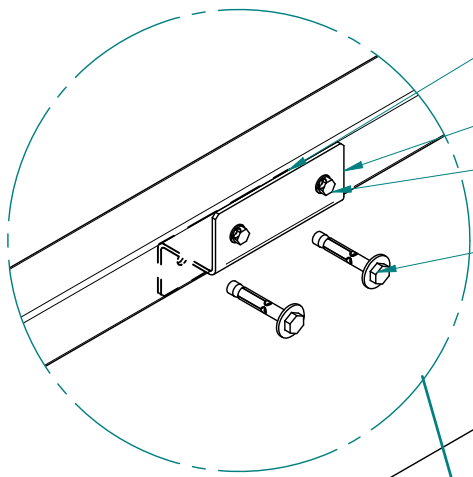
STEP 1 ASSEMBLY DOCK SHELTER AB



STEP 2 ASSEMBLY ELASTIC CORD DOCK SHELTER AB



STEP 3
Hang the dock shelter on the wall with metallic plug $\varnothing 8\text{mm}$.

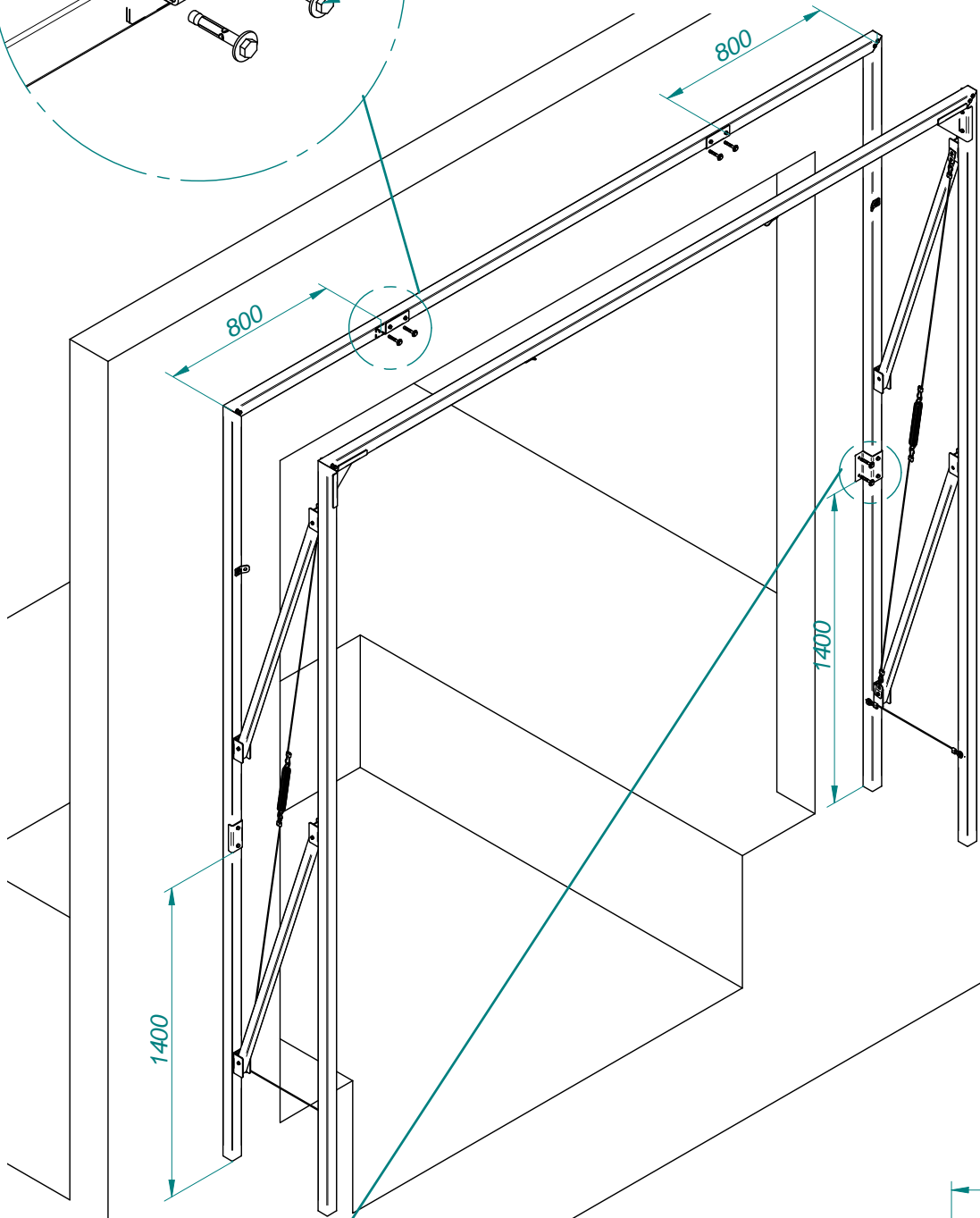


superior supporting tube

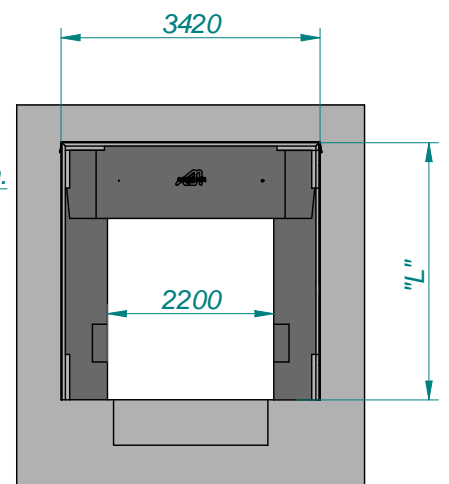
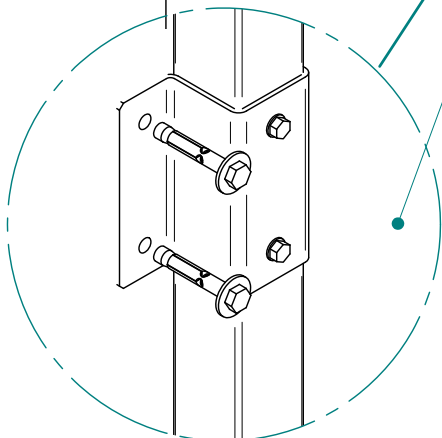
self-drilling screw

metallic plug $\varnothing 8\text{mm}$.

STEP 3 / STEP 4 DOCK SHELTER AB ASSEMBLY ON THE WALL



STEP 4
attach vertically to the wall with metallic plug $\varnothing 8\text{mm}$.



| MODELO | "L" |
|--------|------|
| AB 34 | 3410 |
| AB 36 | 3610 |



MAINTENANCE

DAILY

- General visual inspection.
- Inspection for damages and deformations.

WEEKLY

- Clean the exterior part with water and pH-neutral soap or similar.

MONTHLY

- Check the structure integrity.
- Check the structure for rust and oxidation.
- Check the tightness of screws.
- Check the correct operation of the shelter.