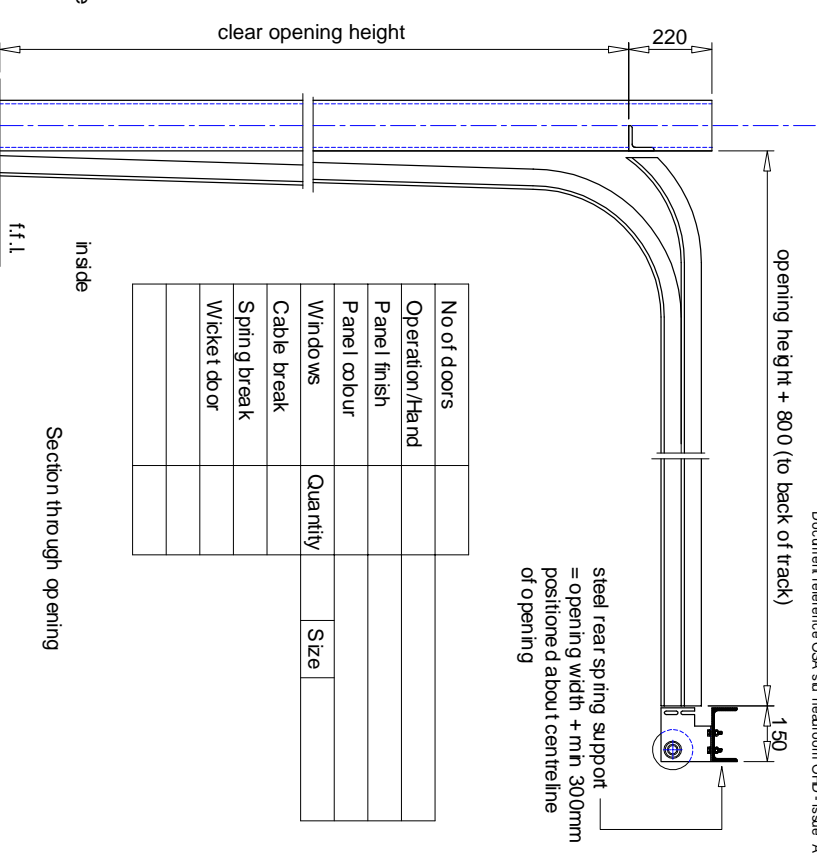
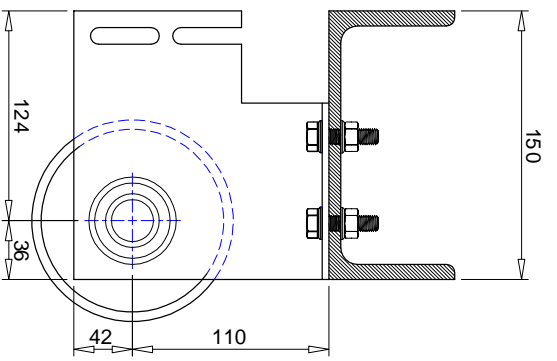


NOTE: ALL FIXING FACES (SHOWN HATCHED) MUST BE FLUSH AND IN THE SAME PLANE

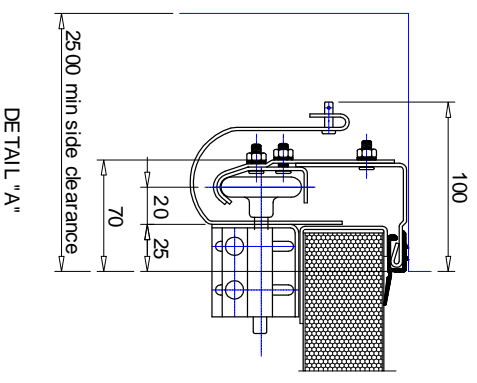
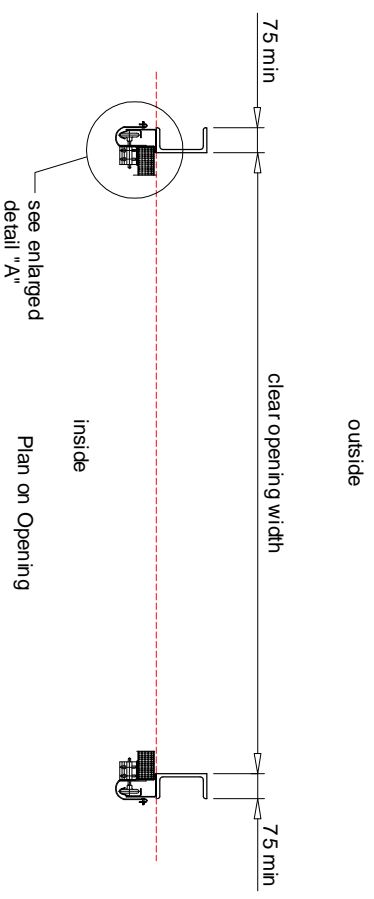
Note
Maximum opening width 4500mm
Maximum area 16 sq. mtrs
(Low headroom only)

OVERALL SIDEROOM REQUIREMENTS
Push up 250mm
Electrically operated 600mm
250mm



No. of doors	Quantity	Size
Operation/Hand		
Panel finish		
Panel colour		
Windows		
Cable break		
Spring break		
Wicket door		

steel rear spring support
= opening width + min 300mm
positioned about centreline
of opening



DOOR PARTS LIMITED

Tel: 0844 499 0050
Fax: 0844 499 0060
e-mail: sales@osadoorsparts.co.uk

LOW HEADROOM LIFT TRACK - STEELWORK REQUIREMENT FOR 2" TRACK E+OE

Client	Revisions
Site	Date
	drg no