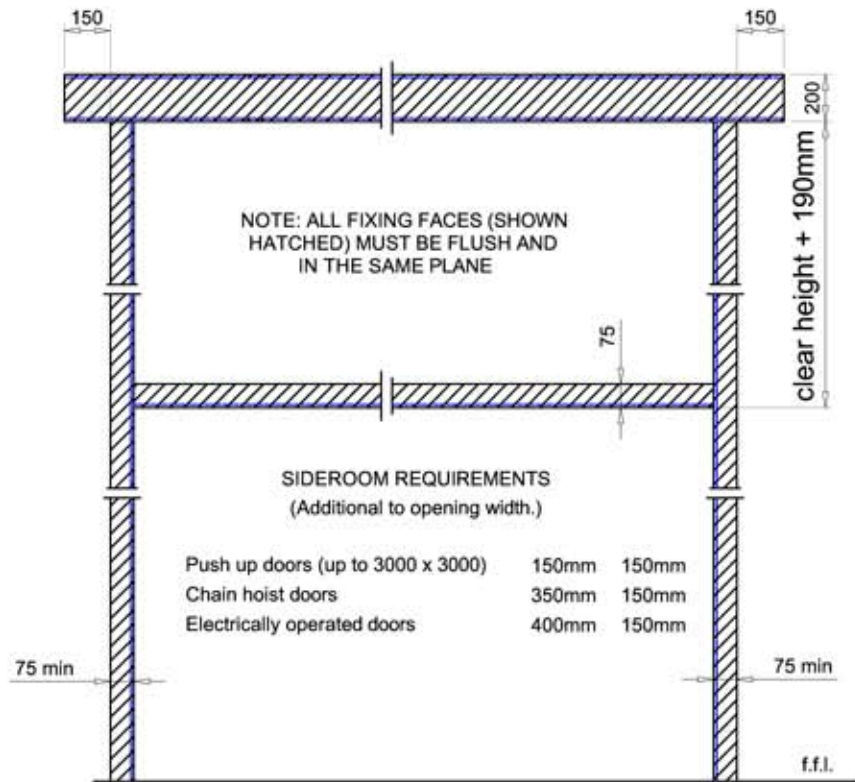
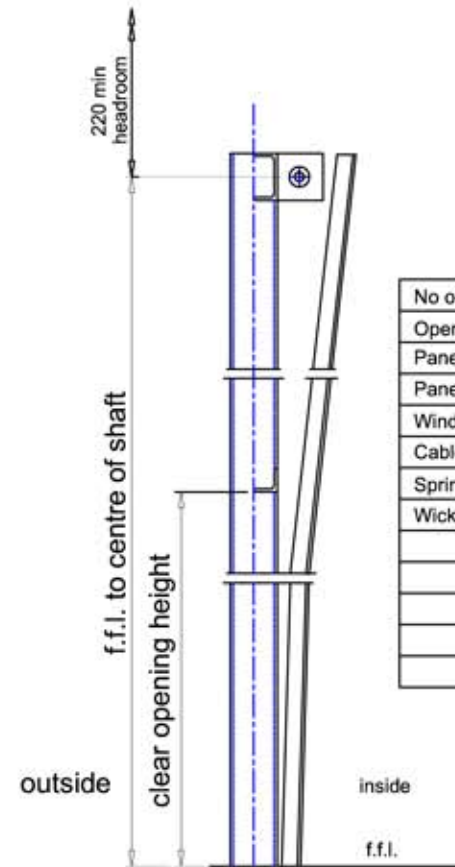


****Please sign and fax back a copy of this drawing as your approval & authorisation to commence manufacture. Thank you.****



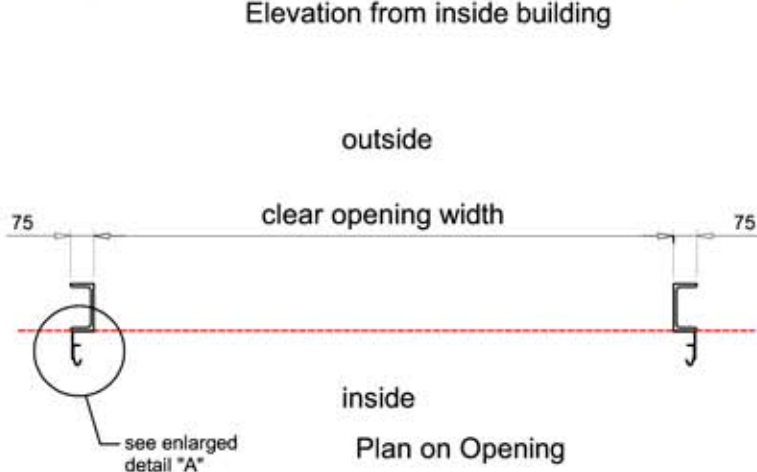
Elevation from inside building



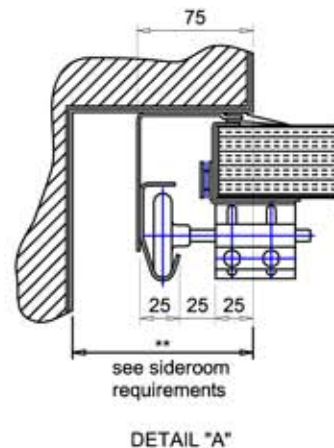
No of doors			
Operation/Hand			
Panel finish			
Panel colour			
Windows	Quantity	Size	
Cable break			
Spring break			
Wicket door			

Section through opening

FOR DOORS OVER 5500mm HIGH - CONSULT OSA



Plan on Opening





Tel : 01928 703580
Fax : 01928 759984
E-mail: sales@osadoorparts.co.uk
Registered in England and Wales No 04267836

VERTICAL LIFT TRACK - STEELWORK REQUIREMENT FOR 2" HARDWARE

Client	Revisions
Site	Date
	Drawing No.