



OSA
DOOR PARTS
TRADE SUPPLIERS



**SECTIONAL
OVERHEAD
DOORS**

www.osadoorparts.co.uk



OSA INSULATED SECTIONAL OVERHEAD DOORS MANUFACTURED & SUPPLIED TO THE TRADE ONLY

Established specifically to supply industrial door manufacturers and installers. OSA Door Parts is recognised for quality finished products, components and technical support.

Why choose Insulated Sectional Overhead Doors?

This leaflet is offered by OSA as a guide for the Trade when presenting the arguments in favour of specification and selection of Insulated Sectional Overhead Doors.

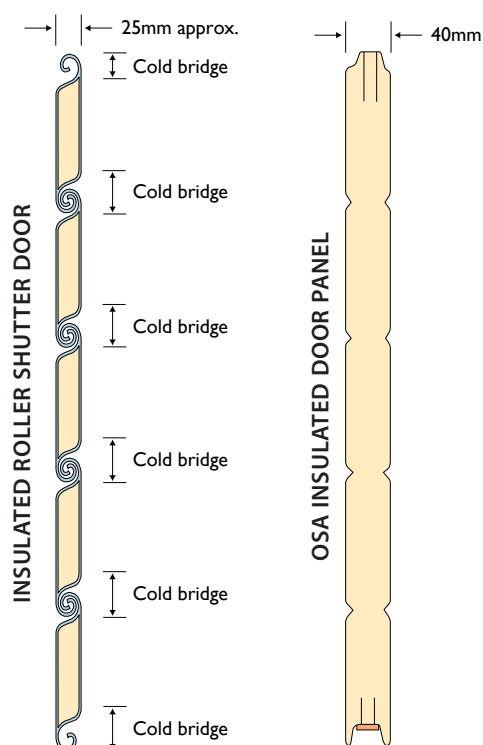
- OSA Insulated Sectional Overhead Doors give guaranteed high thermal performance, avoiding cold bridging compared with traditional roller shutters
- OSA Insulated Sectional Overhead Door panels have a thermal performance that is greater than required by Building Regulations
- Windows can be installed in single or multiple panels
- Panels can be prefinished in an extensive range of colours and materials
- Doors accidentally damaged can be easily repaired using replacement materials and components

INSULATED ROLLER SHUTTER DOOR (For Comparison only)

Areas indicated where door is uninsulated and subject to cold bridging. This can be up to 30% of the door area. Also thinner layer of insulation.

OSA INSULATED DOOR PANEL

Insulation is afforded to the whole door area even at joints.



PANEL SPECIFICATIONS

The door panel provides the overall Insulated Sectional Overhead Door assembly with its main characteristics and therefore the following detailed information is provided to assist when the door performance needs to be explained.

COMPOSITION

The use of quality materials and precise manufacturing controls ensure long service life in normal industrial and commercial applications. All OSA Insulated Door Panels conform to the Building Regulations requirements for Industrial Doors, and the durability of finishes are those specified by our steel suppliers technical specifications department.

Outer and Inner Sheet:

0.5mm hot dipped galvanised steel. Both inner and outer sheets are supplied "V" grooved to provide increased lateral strength, and the whole panel is made-up to form a "T+G" joint top and bottom.

Core:

39mm thick rigid polyurethane foam, density 40kg/m³.

Seal:

Low density compressible foam at panel base, and PVC Tape to the panel nose, all factory applied.

THERMAL PERFORMANCE

OSA sectional door panels provide high levels of insulation. The foam core between the inner and outer steel sheets of the door panel creates effective interruption of cold bridges, thus preventing transmission of heat or cold.

See Declaration of Performance for test results and performance data.

PANEL SPECIFICATIONS (continued)

COLOURS & FINISHES

Outer Skin:

The outer skin is finished and coloured to match most contemporary building cladding. Please see separate leaflet for range of finishes and colours.

Inner Skin:

The internal liner skin is finished in RAL 9010 white, polyester coated, stucco embossed galvanised steel as standard. A separate list and sample swatch of the current colour range is available from OSA Customer Services department.

THERMAL BOW

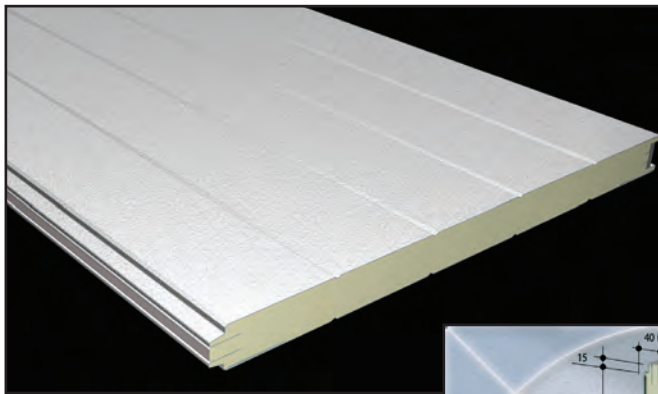
It should be noted that when a door is due to be positioned where it is likely to receive direct sunlight then dark colours should be avoided due to the potential of thermal bow. Contact OSA Technical Department for further information.

ACOUSTICS

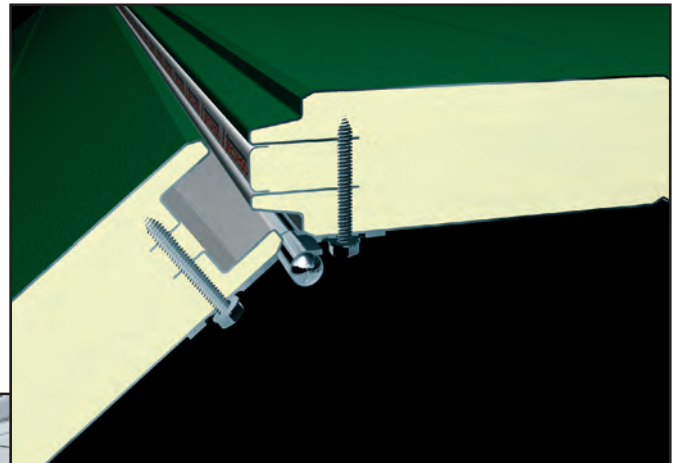
The 40mm OSA insulated door panel gives sound reduction of (Rw) 25db. Please note; this is for the panel only, and does not include joints, i.e. a fully installed door.

PANEL OPTIONS & ACCESSORIES

A range of windows in various sizes can be incorporated in the panel, the standard being 600 x 300mm with radiused corners. Each panel is fitted with pre punched galvanised steel end caps and the top and bottom panels are finished with an aluminium retainer which holds the top and bottom EPDM seals. A range of locking options are available. Wicket doors are available 900 x 2100mm approx. Low Threshold Profile supplied complete with sash lock or push bar.



STANDARD PANEL DETAIL



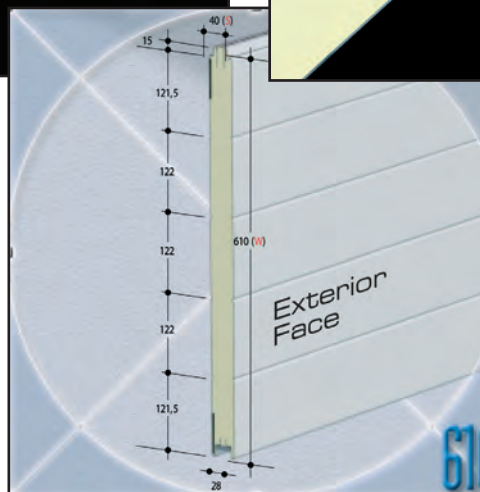
TYPICAL PANEL JOINT

STANDARD PANEL DIMENSIONS:

610 x 40

WEIGHT:

5.40kg/lin.m



DECLARATION OF INCORPORATION

OSA Sectional Overhead Doors are manufactured in accordance with the requirements of the harmonised European Standards EN 13241-1:2003. The Swedish National Testing and Research Institute (SP) have conducted the necessary tests on behalf of OSA Door Parts Ltd. A copy of the test report is available on request.

PLEASE NOTE: It is our policy to supply doors that meet all relevant Building Regulations and Health & Safety Requirements, wherever it is practical and we urge our customers to familiarise themselves with their onward obligations. For further information please contact OSA.



TRACKS

- Individually designed for each door
 - Fully galvanised
 - Bolted and riveted or spot welded
- Options include:**
- Standard lift, high lift, vertical lift and low headroom track configurations. Follow the roof and pitched tracks available.
 - All tracks supplied with 3m lengths of punched installation angle and side seals



SPRINGS

- Individually designed for each door
- Highest grade springs to EN10270 Class SH specification for longer life
- Fully keyed shaft with adjustable coupler as required
- Spring break device supplied as standard
- Drums, end bearing plates, centre bearing plates, PVC spring fillers (152mm diameter springs and duplex assemblies), plugs & winders, securing bolts



HARDWARE

- All components galvanised for weather protection
- Doors supplied with adjustable side hinges, intermediate hinges, nylon rollers, cable sets, bottom corner brackets, spring bumpers, self tapping panel fixings

NOTE: OSA do not supply fixings for use between the door and the structure as standard, but can on request.



OPERATION

- Manual doors can be push-up (up to 3000 x 3000mm) or Chain Hoist driven
- Electric 3ph or 1ph operators available complete with starter and torque bracket (CE)
- A range of safety systems available. Cable break and spring break devices are supplied as standard



OTHER PRODUCTS

PANORAMIC ALUMINIUM SECTIONAL OVERHEAD DOORS

- Aluminium, fully single or double glazed sectional overhead doors
- Anodised and paint finishes available
- Glazed and solid panel combinations
- Contact OSA for product literature

OSA DOOR PARTS ALSO SUPPLY A COMPLETE PROGRAMME OF SECTIONAL OVERHEAD DOOR COMPONENTS

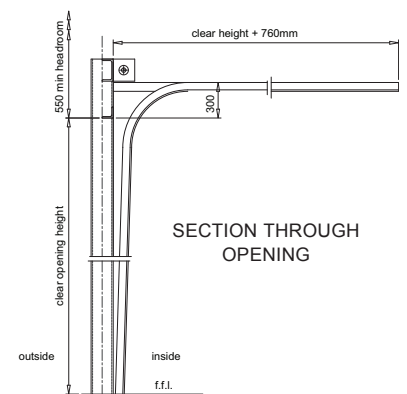
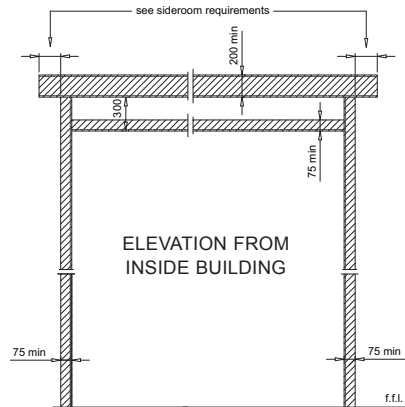
Summary of Structural Steelwork Drawings

STANDARD LIFT TRACK

SIDEROOM REQUIREMENTS:

Push up doors (up to 3000 x 3000)	150 x 150mm
Chain hoist doors	350 x 150mm
Electrically operated doors	400 x 150mm

PLEASE NOTE: All fixing faces (shown hatched) must be flush and in the same plane.

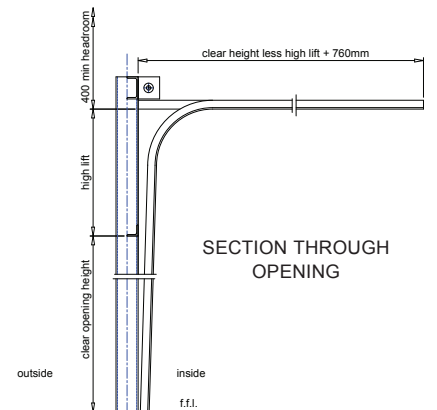
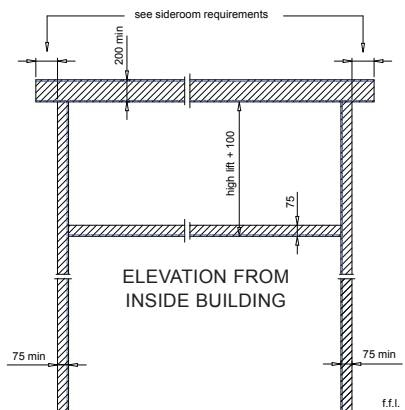


HIGH LIFT TRACK

SIDEROOM REQUIREMENTS:

Push up doors (up to 3000 x 3000)	150 x 150mm
Chain hoist doors	350 x 150mm
Electrically operated doors	400 x 150mm

PLEASE NOTE: All fixing faces (shown hatched) must be flush and in the same plane.



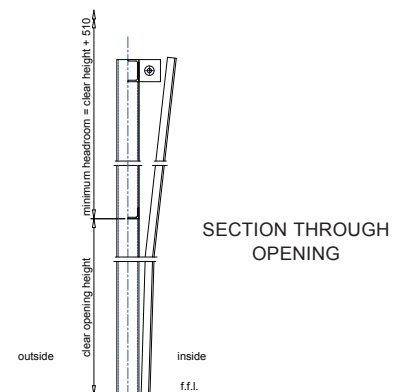
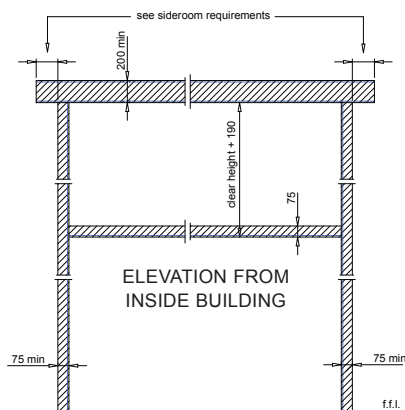
VERTICAL LIFT TRACK

SIDEROOM REQUIREMENTS:

Push up doors (up to 3000 x 3000)	150 x 150mm
Chain hoist doors	350 x 150mm
Electrically operated doors	400 x 150mm

FOR DOORS OVER 5500mm IN HEIGHT
PLEASE CONSULT OSA

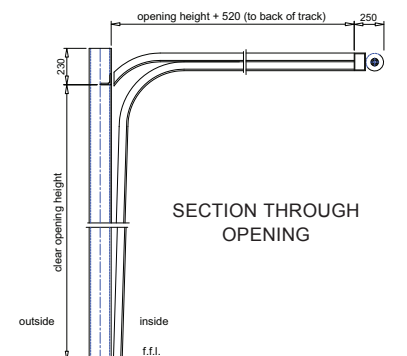
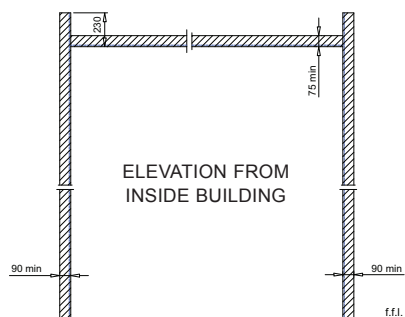
PLEASE NOTE: All fixing faces (shown hatched) must be flush and in the same plane.



LOW HEADROOM LIFT TRACK

MAXIMUM DIMENSIONS:	5000 x 5000mm
MAXIMUM WEIGHT:	300kg's

PLEASE NOTE: All fixing faces (shown hatched) must be flush and in the same plane.



OTHER PRODUCTS AVAILABLE



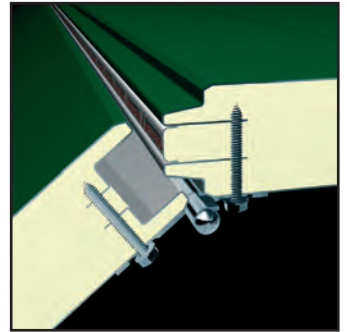
STEEL HINGED
DOOR SETS



HIGH SPEED
DOORS



INSULATED
GARAGE DOORS



INSULATED REPAIR
PANELS

HOW TO FIND US

OSA Door Parts, Unit 4, Ashville Industrial Estate,
Runcorn, Cheshire, WA7 3EZ. UK.




OSA
DOOR PARTS

TRADE SUPPLIERS

To order please contact us:

Telephone: 01928 703 580

Fax: 01928 759 984

Email: sales@osadoorparts.co.uk



We reserve the right to change specifications and prices without prior notice or alteration of this brochure.

